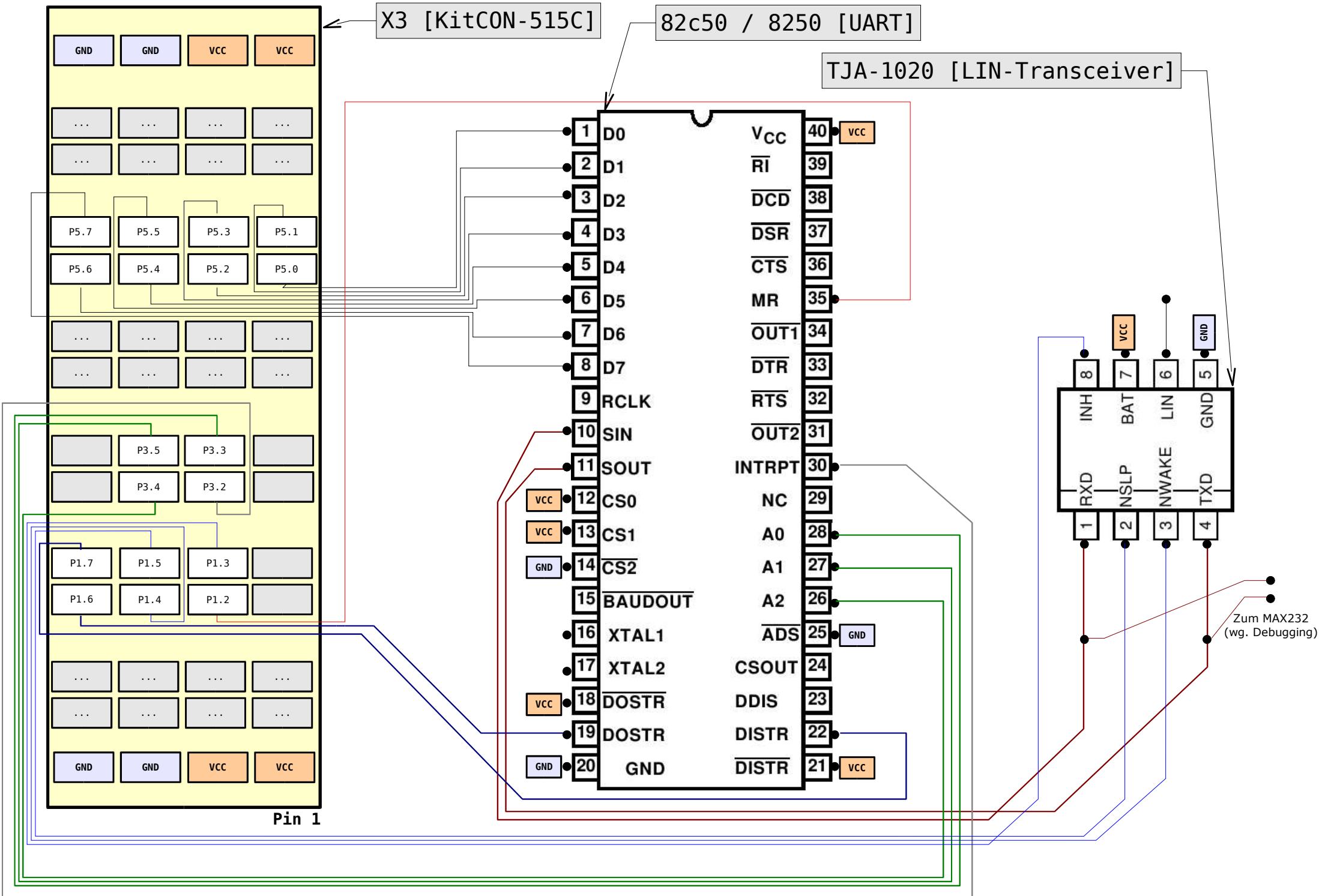


X3 [KitCON-515C]

82c50 / 8250 [UART]

TJA-1020 [LIN-Transceiver]



Zum MAX232 (wg. Debugging)